



July, 2022

Introducing Sifos Technologies' 3rd Generation PowerSync Programmable Load

Highlights:

- 24-Port Continuous Loading up to 100W Per Port
- Fully Automated 802.3at/802.3bt PSE Functional Testing
- Optional 802.3at/802.3bt LLDP Emulation
- Efficient Support for Multi-Gig Snaked Data Path Testing
- PSA Interactive Graphical User Interface
- PowerShell PSA High Level Script Automation



The PSL-3424 is the newest member of the Sifos family of PowerSync Analyzers and Programmable Loads for PSE testing and analysis. The PSL-3424 is designed to become the standard Sifos platform for Multi-Port Systems and Power Management testing of PSE's that offer any combination of 4-Pair and 2-Pair powering.

Other Key Features Include:

- Commercial Test Instrument with Comprehensive Safety (CSA) and Compliance (CE, FCC) Certifications
- Efficient, 3-Fan Cooling System – Easy on the Ears
- Shared Software Environments with PSA-3000 Family
- One-Click, One-Command Emulations of all 802.3at and 802.3bt PD Connections
- Flexible LLDP Emulation and Analysis Including LLDP Protocol Tracing (PSL-3424L)
- Programmable Load Transient
- Average and Peak Voltage / Current Metering
- Feature License for 802.3at/802.3bt PSE Quick Test and Snaked Data Test

The platform is offered in two basic configurations:

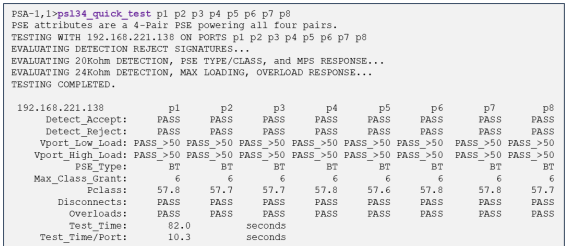
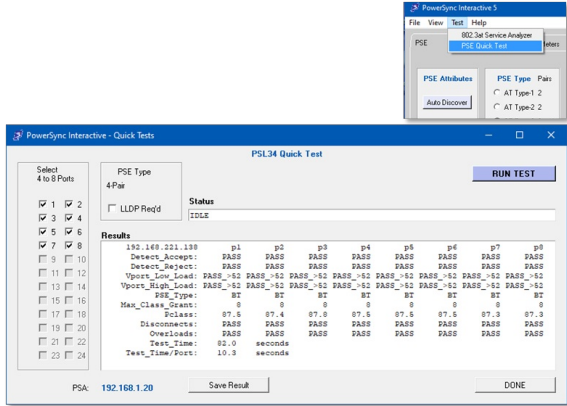
- **PSL-3424A**: Basic system with no LLDP Emulation
- **PSL-3424L**: Enhanced system with 802.3at/802.3bt LLDP Emulation and Analysis [Text Link](#)



The PSL-3424 additionally features a PSL-3424-QT license option to access a fully automated 802.3at/802.3bt PSE quick inspection test and a fully automated configuration and powering menu for snaked data while powered testing in Multi-Port PSE's (switches and routers). The PSL-3424 is hosted by the same PSA Interactive and PowerShell PSA software that hosts all other members of the PSA-3000 family. [Text Link](#)

802.3at/802.3bt PSE Quick Inspection

Test



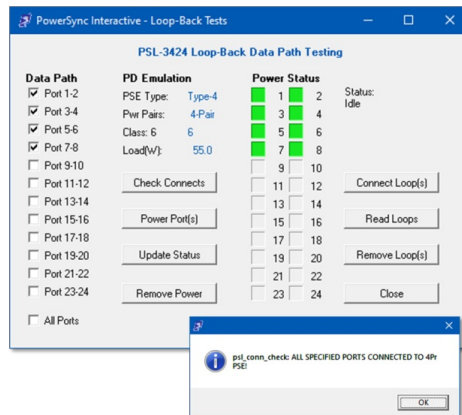
The PSL-3424 is provided with a PSE automated test script, psl34_quick_test, that recovers a number of important PoE parameters from PSE ports with an effective test throughput as fast as 8 seconds per tested port.

The test supports both 2-Pair and 4-Pair powering PSE ports and automatically adapts to the maximum supported PSE class. On instruments configured with the LLDP testing feature, it will optionally emulate LLDP power negotiations with Class 4 through Class 8 PD's

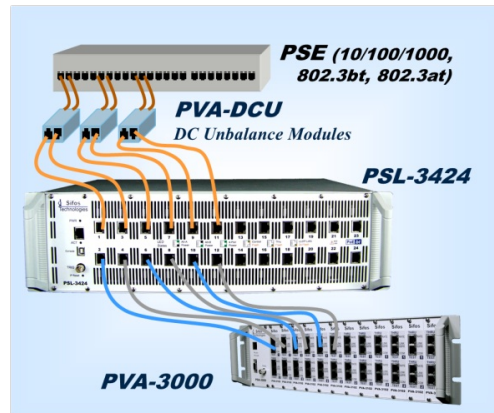
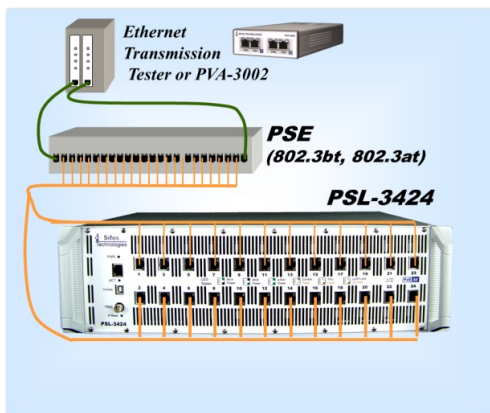
Typical test times will range from 8 to 20 seconds per port tested depending upon powered pairs, typical PSE powering time, and use of LLDP protocols if required by the PSE under test. [Text Link](#)

Automated Setup for PSE Snaked Data Traffic Testing

The PSL-3424 is also provided with a graphical user interface to enable rapid configuration, verification, and utilization of resources required for testing of PSE switch traffic processing under controlled or full PoE loading conditions. Users simply describe a PD emulation (PD Class, Load Power or Load Current) of interest in the Power Up tab menu, then enter the Loop-Back Data Test menu to set up the required port powering and data path connections to facilitate the snaked data traffic test.



PowerSync Programmable Load Test Equipment Setups



PSE System QA PSE Functional Test
Traffic Testing under PoE Load
Manufacturing Test

PSE PoE & 10/100/1000 Physical Layer
Analysis PSE DC Unbalance Tolerance

Please feel free to share this information with Engineering, QA, and Manufacturing testing environments users. Expected deliveries will be in the late July, early August timeframe. If you

are interested in the pricing your Sifos sales partner can provide to you. [Text Link](#)

Sifos Quick Links

[PSL-3424 Product Overview](#)

[Chained Data Path Testing in PSE with PSL-3424](#)

[DC Unbalanced Tolerance in PSE's](#)

[Sifos Technologies Website](#)

