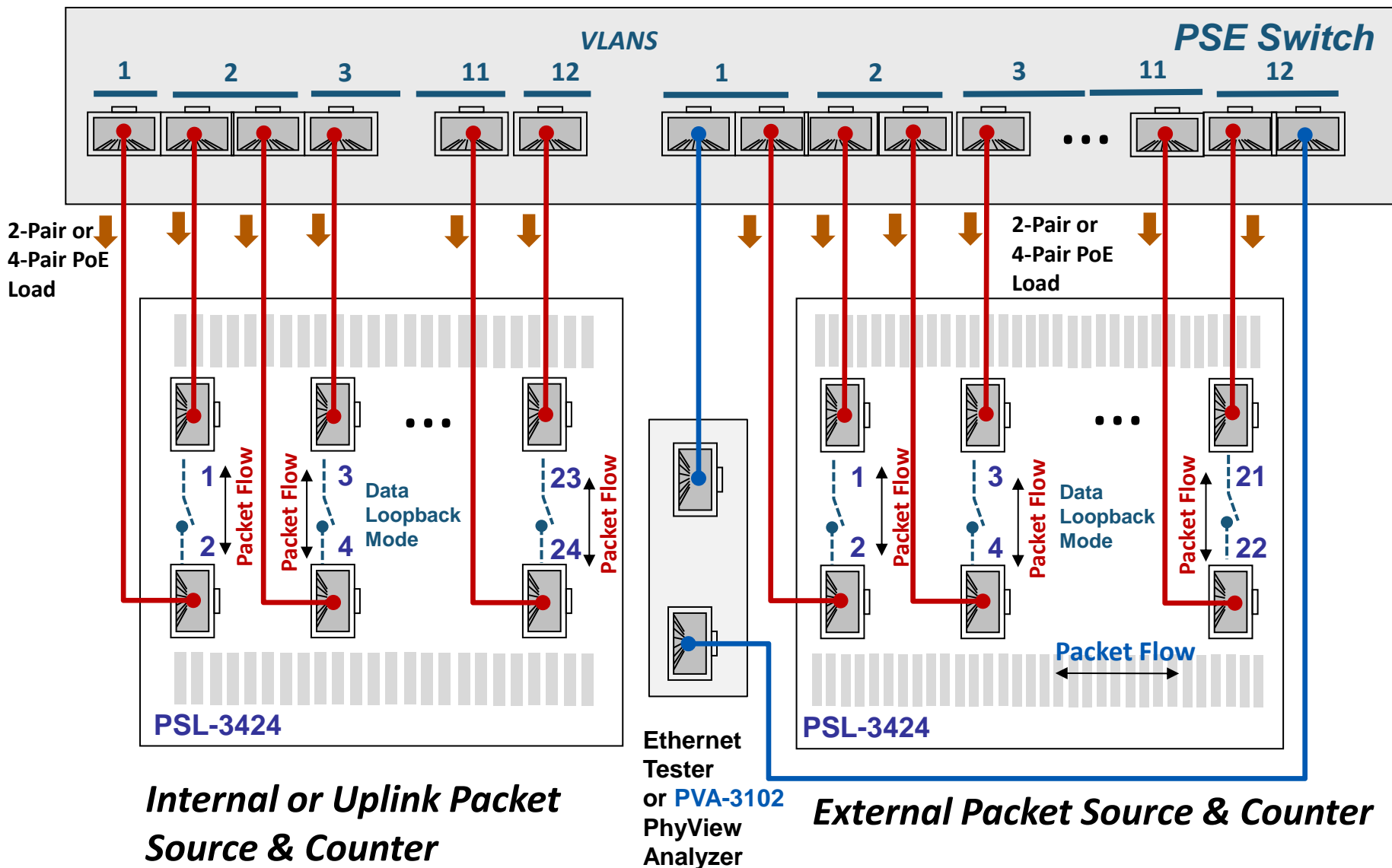
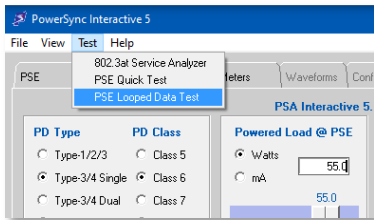


PSE Chained Data Path Testing



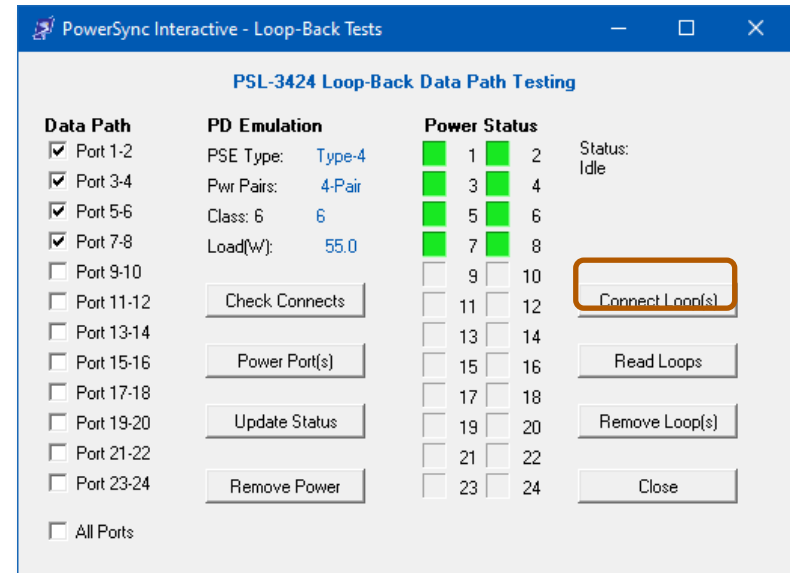
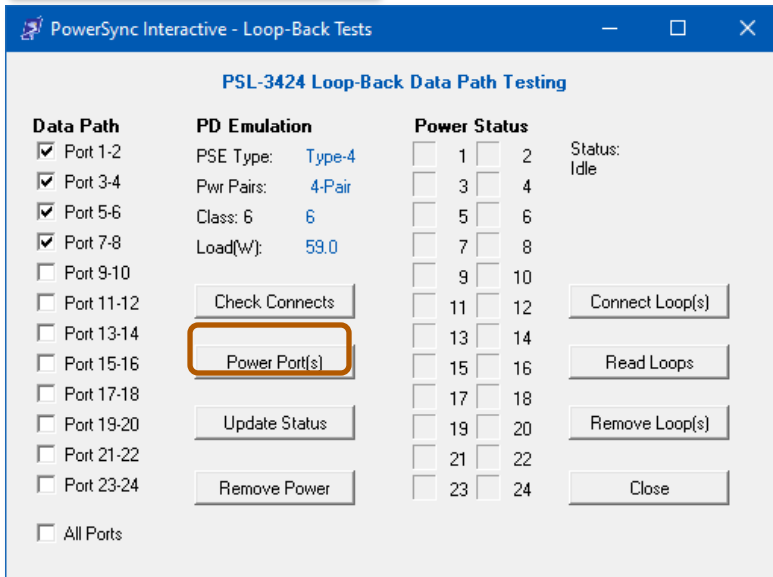
Loop-Back Data Path Testing (PSL-3424-QT)

1. Specify PD Emulation in **Power Up** tab menu
2. Test drop-down: **PSE Looped Data Test**



3. Select PSL-3424 Ports in Data Path
4. Press **Check Connects** to verify all PSE connections
5. Press **Power Port(s)** to emulate PD connections

6. Press **Connect Loop(s)** to implement the data path chain
7. Use **Update Status** to verify power states



8. Run Chained Data Path Packet Tests with all PSE ports powered and furnishing specified loads

For further information:

See PSL-3424 Reference Manual Section 4.7.6